

# 275/P 600A



## HYDRAULIC BOLLARD WITH BUILT-IN PUMP

PILOMAT 275/P 600A automatic bollards are the top line products of the PILOMAT range. Current models are the result of the dedication of more than 40 years in the field of access control, and a twenty-year specialization in bollards. The installation of 275/P 600A bollard is recommended for the management of: pedestrian areas, private parkings, business parkings, private driveways, business driveways, commercial driveways.

Customize your system with the several optionals available to obtain the most effective solution.



PAG.1/3

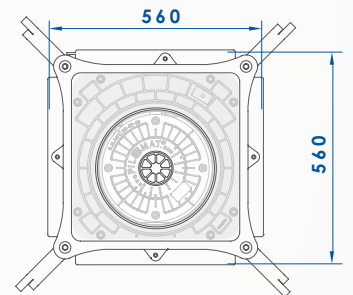
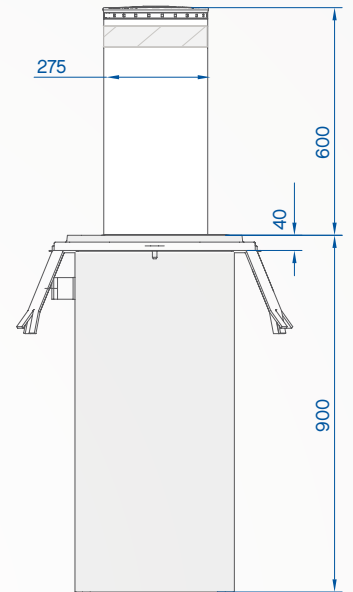


PILOMAT s.r.l.  
www.pilomat.com / pilomat@pilomat.com  
Via Zanica 17/p, 24050, Grassobbio (BG) Italy  
Tel. +39.035.29.72.20  
Copyright 2016© Pilomat S.r.l. All rights reserved

275/P 600A\_DATASHEET.16 REVIEW 09/05/2016

## OPTIONAL ITEMS

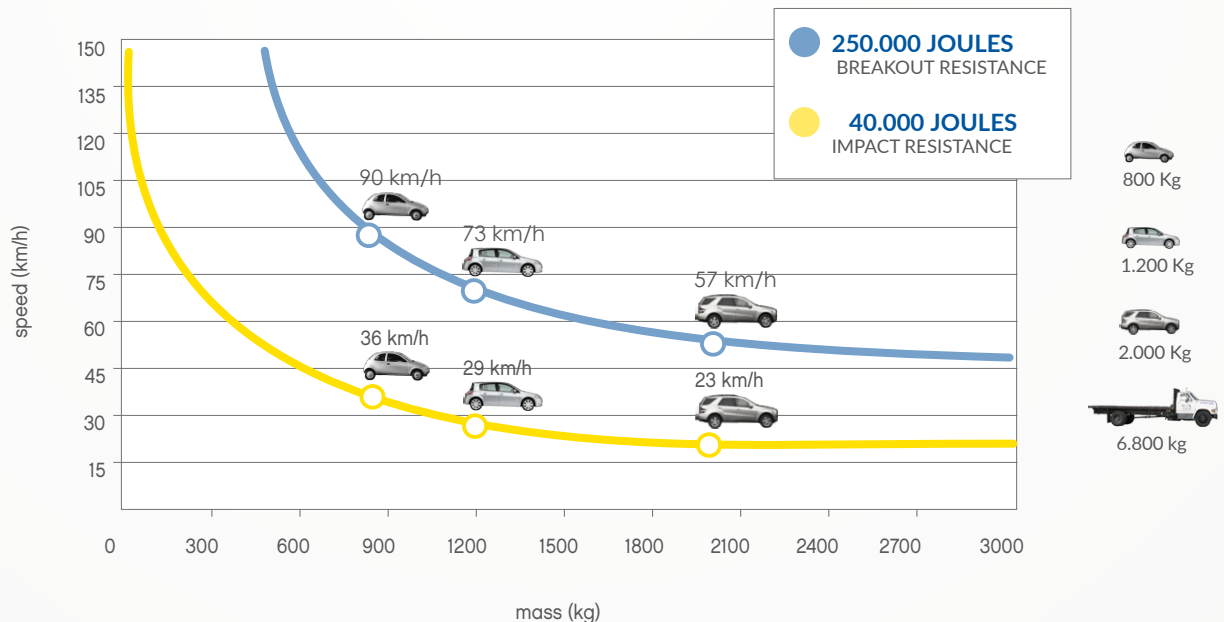
|   |
|---|
| PILOMAT BOLLARD 275/P 600AIXV - STAINLESS STEEL PAINTED   |
| PILOMAT BOLLARD 275/P 600AIXS - STAINLESS STEEL BRUSHED   |
| PIT IN ALUZINC FOR PILOMAT 275/P 600A - COUNTERFRAME AND BRACKETS<br>ONE PIT FOR EACH BOLLARD           |
| CONTROL UNIT FOR PILOMAT 275/P 600A   |
| MULTILED FLASHING LIGHT- 27 LED POINTS  |
| BUZZER ACOUSTIC SIGNAL FOR AUTOMATIC BOLLARDS   |
| REFLECTING ADHESIVE STRIP - WHITE (NO-LOGO)   |
| HEAD WITHOUT LOGO FOR PILOMAT 275/P 600A  |
| PAINTING WITH RAL COLOUR ON REQUEST   |
| BIODEGRADABLE FUCHS OIL FOR HYDRAULIC PUMP  |
| HEATING RESISTANCE FOR PILOMAT BOLLARDS - TRANSFORMER AND THERMOSTAT<br>ONE RESISTANCE FOR EACH BOLLARD |
| RADIO RECEIVER  |
| RADIO TRANSMITTER TWO-CHANNEL   |
| TRAFFIC LIGHT WITH TWO LIGHTS (GREEN-RED)   |
| INDUCTIVE DETECTOR FOR LOOPS  |
| INDUCTIVE LOOP - DIMENSION: 7,60m - 9,60m - 12,60m - LINE: 15m AND 30m                                  |
| TIMER PROGRAMMER  |
| INDUCTIVE CARD READER   |
| LOCK SELECTOR   |



# 275/P 600A



|   |   |
|---|---|
| MOVING CYLINDER                           | NORMAL STEEL FE370 - AISI 304 STAINLESS STEEL                           |
| MOVING CYLINDER DIAMETER                  | 275mm   |
| MOVING CYLINDER HEIGHT                    | 600mm   |
| MOVING CYLINDER NORMAL STEEL THICKNESS    | 6mm   |
| MOVING CYLINDER STAINLESS STEEL THICKNESS | AISI 304: 6mm - AISI 316: 4mm   |
| MOVING CYLINDER NORMAL STEEL FINISH       | ANTI-CORROSION TREATMENT - STANDARD PAINTING GREY ANTHRACITE            |
| MOVING CYLINDER STAINLESS STEEL FINISH    | ANTI-CORROSION TREATMENT - STANDARD PAINTING GREY ANTHRACITE OR BRUSHED |
| OTHER MOVING CYLINDER FINISH              | RIBS ON CYLINDER'S SURFACE  |
| REFLECTING ADHESIVE STRIP                 | YES - HEIGHT 55mm   |
| RISING SPEED                              | 15cm/s  |
| LOWERING SPEED                            | 25cm/s  |
| MANUAL EMERGENCY LOWERING                 | YES (ALSO FOR VERSION WITH AUTOMATIC LOWERING IF POWER FAILED)          |
| SAFETY REVERSAL PRESSURE SWITCH           | YES   |
| CONNECTION LINE TO CONTROL UNIT           | STANDARD 10m (MAX. LENGTH 80m - WITH HEATING RESISTANCE MAX. 50m)       |
| VOLTAGE FOR CONTROL UNIT                  | 230Vac (+/- 10%) 50/60Hz  |
| HYDRAULIC PUMP                            | BUILT-IN THE BOLLARD  |
| PROTECTION CLASS                          | IP67  |
| TYPE OF USE                               | INTENSIVE - LIFE AVERAGE 3.000.000 MOVEMENTS - 2000 MOVEMENTS/DAY       |
| IMPACT RESISTANCE (WITHOUT DEFORMATION)   | 40.000 J  |
| BREAKOUT RESISTANCE                       | 250.000 J   |
| OPERATING TEMPERATURE                     | -40 °C +70 °C (FOR LOW TEMPERATURES SEE HEATING RESISTANCE)             |



100% MADE IN ITALY

PILOMAT s.r.l.  
 www.pilomat.com / pilomat@pilomat.com  
 Via Zanica 17/p, 24050, Grassobbio (BG) Italy  
 Tel. +39.035.29.72.20  
 Copyright 2016© Pilomat S.r.l. All rights reserved